



Characteristics



- High performance industrial air curtains for vertical or horizontal installations for large industrial doors. Easy dockable modules to reach large dimensions.
- Heavy casing made of double chamber aluminium profiles and galvanized plated steel panels, finished in structural epoxy-polyester painting white colour RAL9016 as standard. Other colours are available on request.
- Double outlet with Coanda effect to achieve larger and efficient air jet. Anodized aluminium outlet vanes, airfoil shaped, adjustable from 0 to 15° each side.
- High efficiency and low noise axial fans, driven with external rotor motor single phase 230V. Optionally three phase 400V. Provided with 5-speed selection. Maintenance free.
- "P" type with water heated coil. "E" type with electrical shielded elements, three stages with integrated regulation. "A" type without heating, air only.
- Includes Plug&Play control with 10m RJ45 cable and infrared remote control. Optional: Clever control (programmable, automatic, intelligent, energy saving, Modbus RTU for BMS...).

Specifications

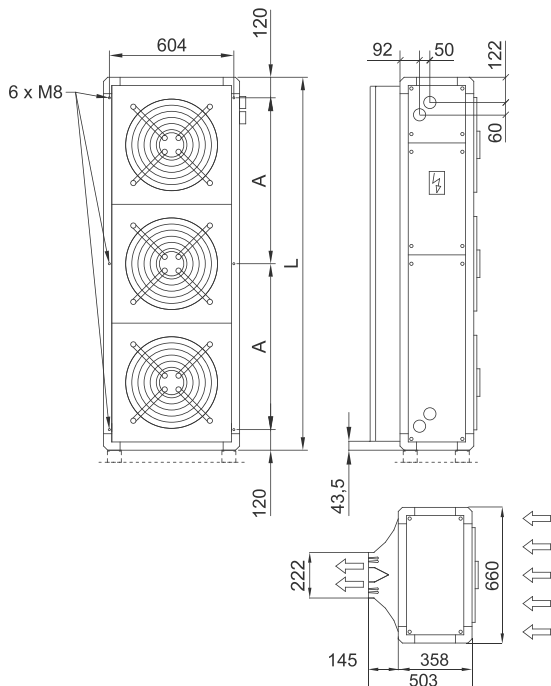
AIR ONLY					
Model	Airflow m ³ /h	Fans Power 230V-50Hz kW	Fans Current 230V-50Hz A	Noise Level (5 m) dB(A)	Weight kg
MAX 2 A	6600	0,68	2,96	62	59
MAX 3 A	9900	1,02	4,44	63	79
MAX 4 A	13200	1,36	5,92	64	103
MAX 5 A	16500	1,70	7,40	65	124
MAX 6 A	19800	2,04	8,88	66	151

ELECTRICAL HEATED						
Model	Airflow m ³ /h	Electrical Heating Capacity 400Vx3-50Hz kW	Fans Power 230V-50Hz kW	Fans Current 230V-50Hz A	Noise Level (5 m) dB(A)	Weight kg
MAX 2 E	6600	15/25/40	0,68	2,96	62	74
MAX 3 E	9900	22,5/37,5/60	1,02	4,44	63	100
MAX 4 E	13200	30/50/80	1,36	5,92	64	133
MAX 5 E	16500	30/60/90	1,70	7,40	65	159
MAX 6 E	19800	30/60/90	2,04	8,88	66	186

WATER HEATED												
Model	Airflow m ³ /h	Water Heating Capacity 80/60°C kW	P86			P64			Fans Power 230V-50Hz kW	Fans Current 230V-50Hz A	Noise Level (5 m) dB(A)	Weight kg
			Water Drop Pressure 80/60°C Pa	Water Connections 80/60°C	Water Heating Capacity 60/40°C kW	Water Drop Pressure 60/40°C Pa	Water Connections 60/40°C					
MAX 2 P	6400	28,74	350	2x1¼"	29,71	8690	2x1¼"	0,68	2,96	61	75	
MAX 3 P	9600	51,77	1440	2x1¼"	47,10	11930	2x1¼"	1,02	4,44	62	102	
MAX 4 P	12800	74,15	2580	2x1¼"	63,30	9340	2x1¼"	1,36	5,92	63	135	
MAX 5 P	16000	96,43	7070	2x1¼"	82,16	18450	2x1¼"	1,70	7,40	64	162	
MAX 6 P	19200	118,69	12160	2x1¼"	91,92	3770	2x1¼"	2,04	8,88	65	189	

Water heated: P86 2 rows coil, P64 3 rows coil.

Dimensions



	L	A
MAX 2	1234	498
MAX 3	1811	786
MAX 4	2388	1074
MAX 5	2965	1363
MAX 6	3542	1651